

NC 3000

Roca

E

Convector mural a gas

Instrucciones de Funcionamiento,
Limpieza y Mantenimiento
para el **USUARIO**

GB

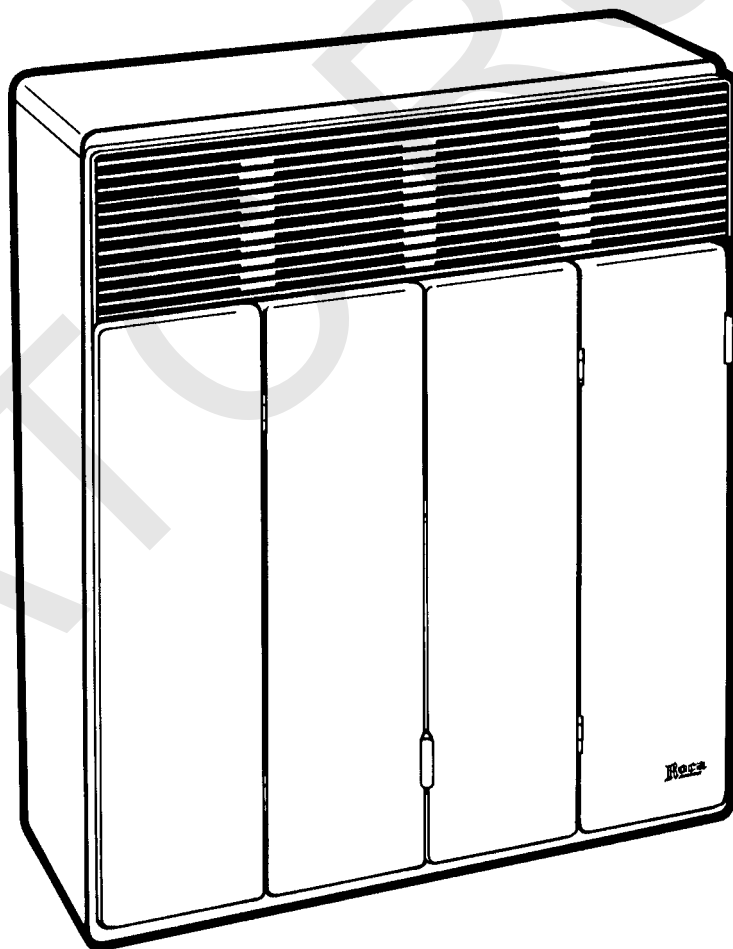
Wall-mounted gas convector

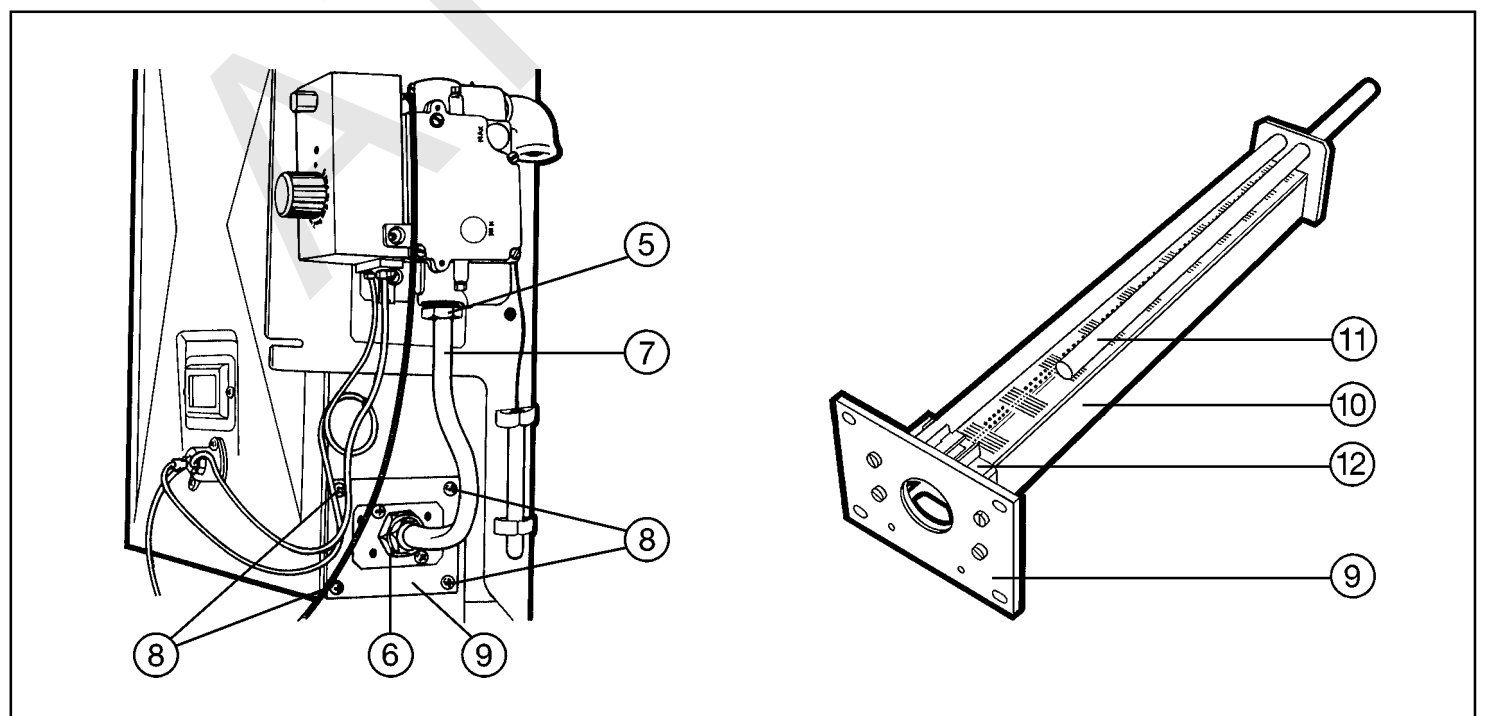
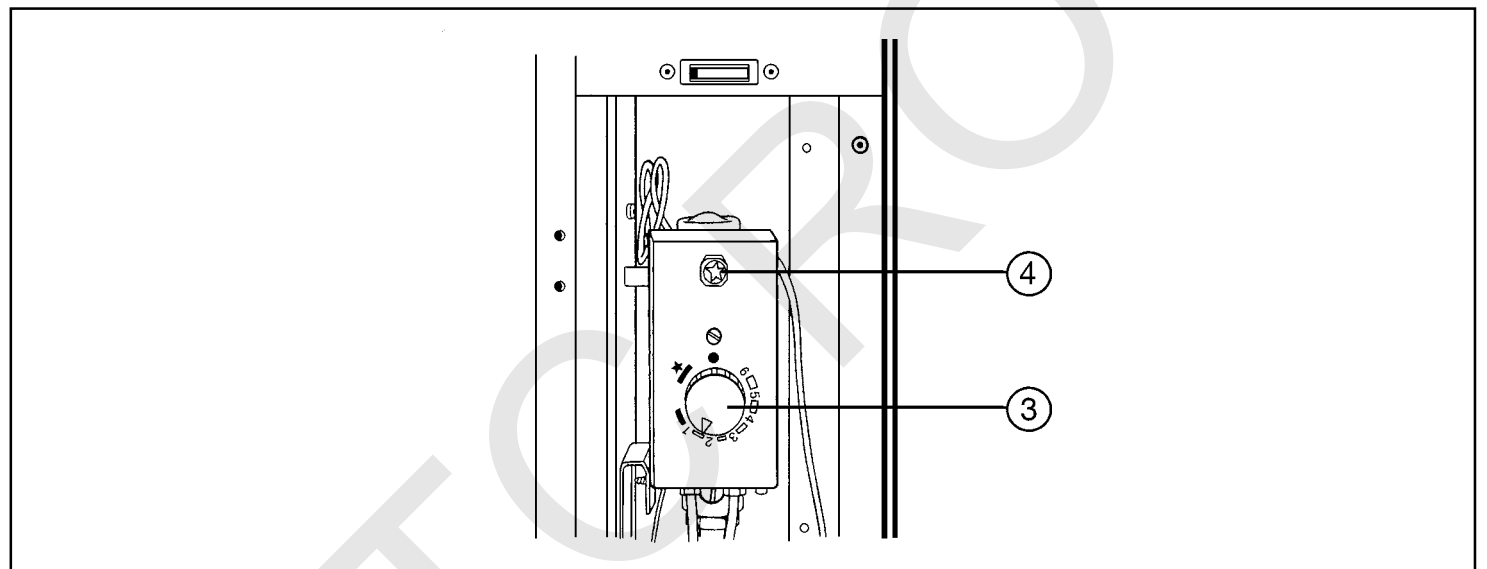
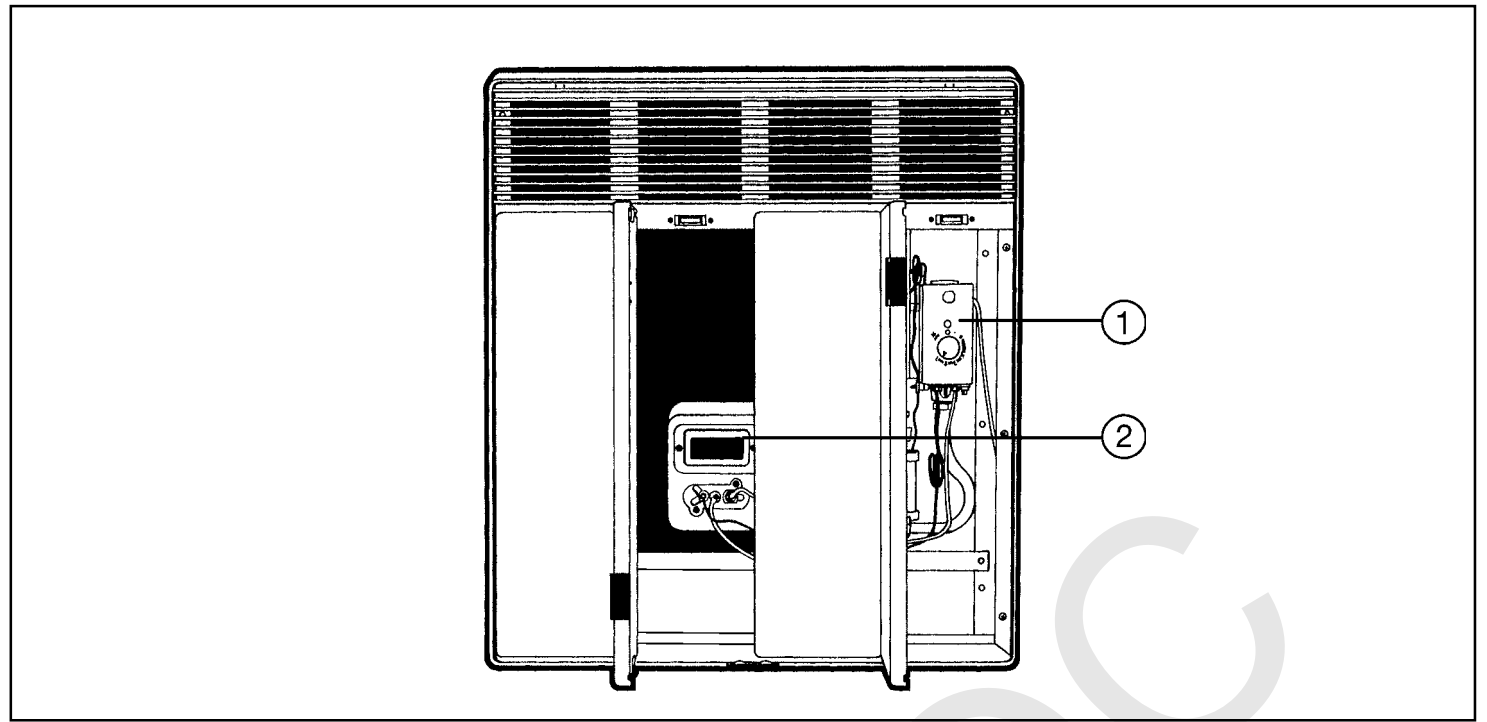
Operating, Cleaning
and Maintenance Instructions
for the **USER**

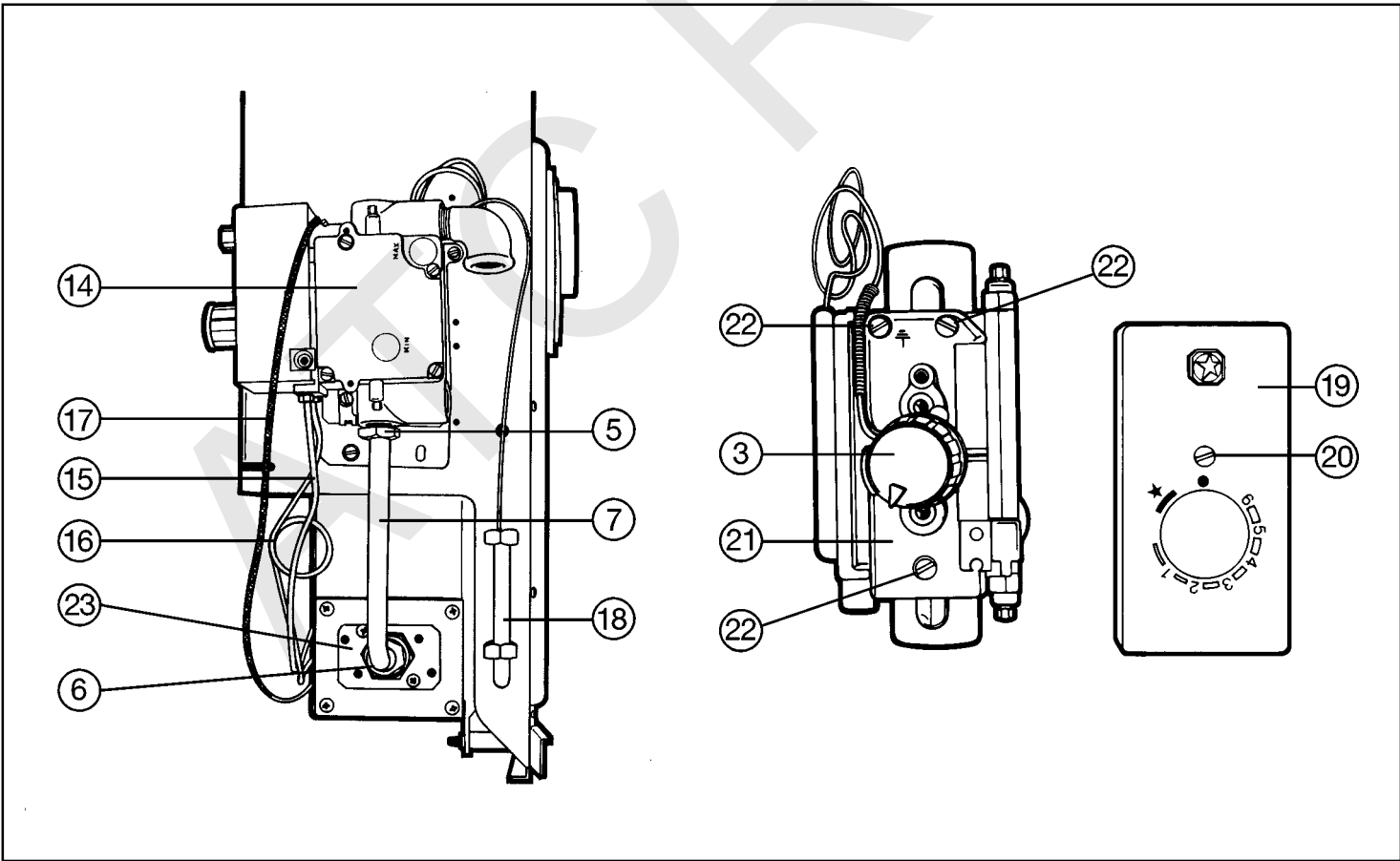
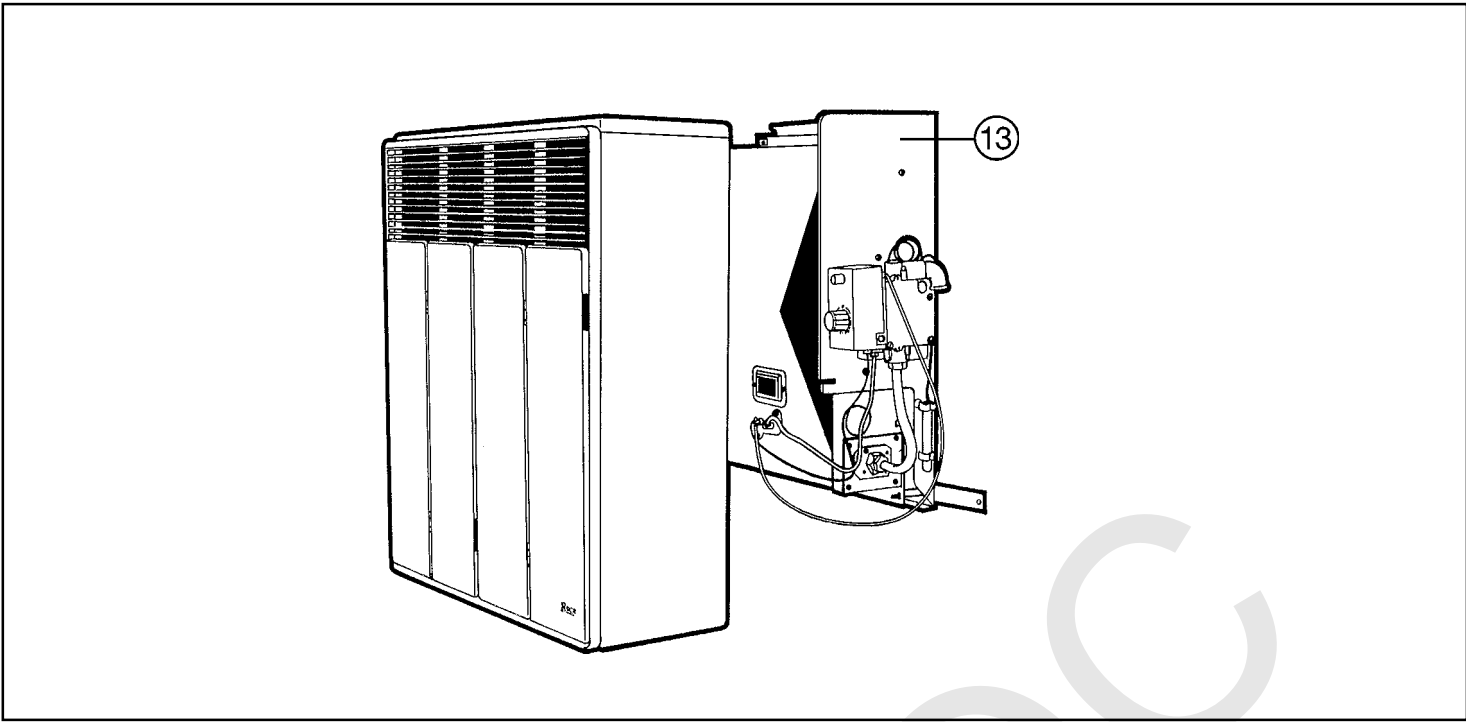
P

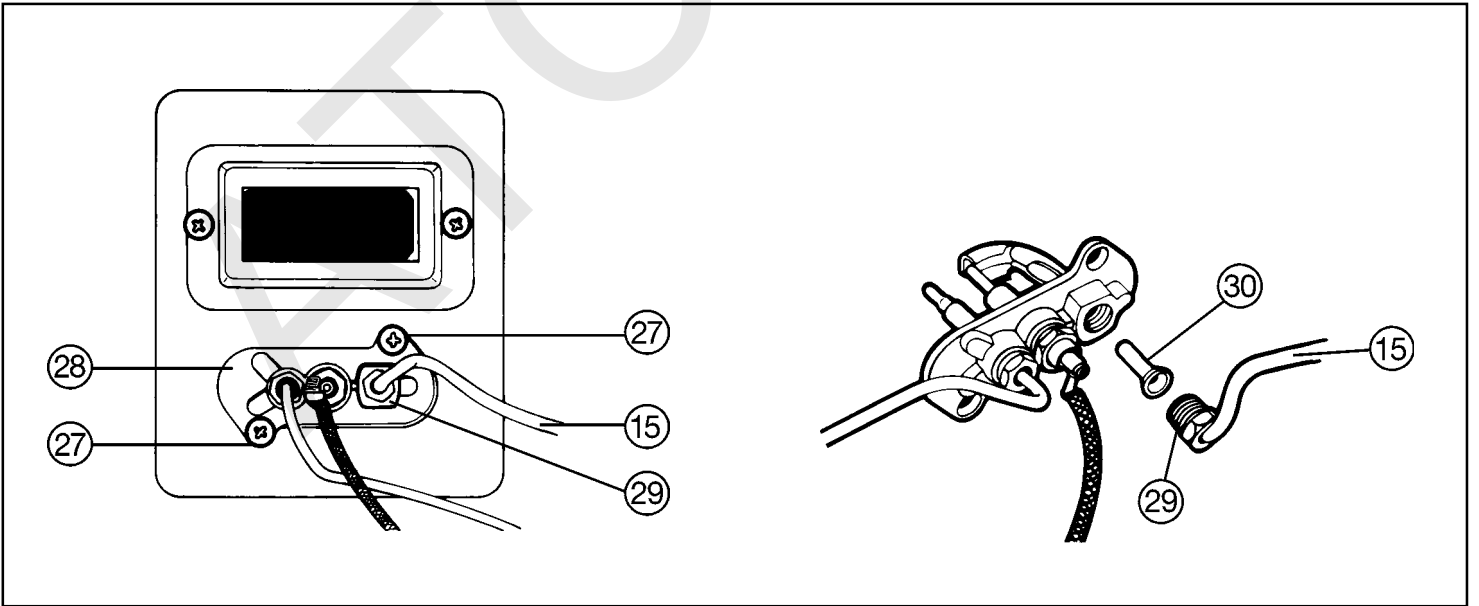
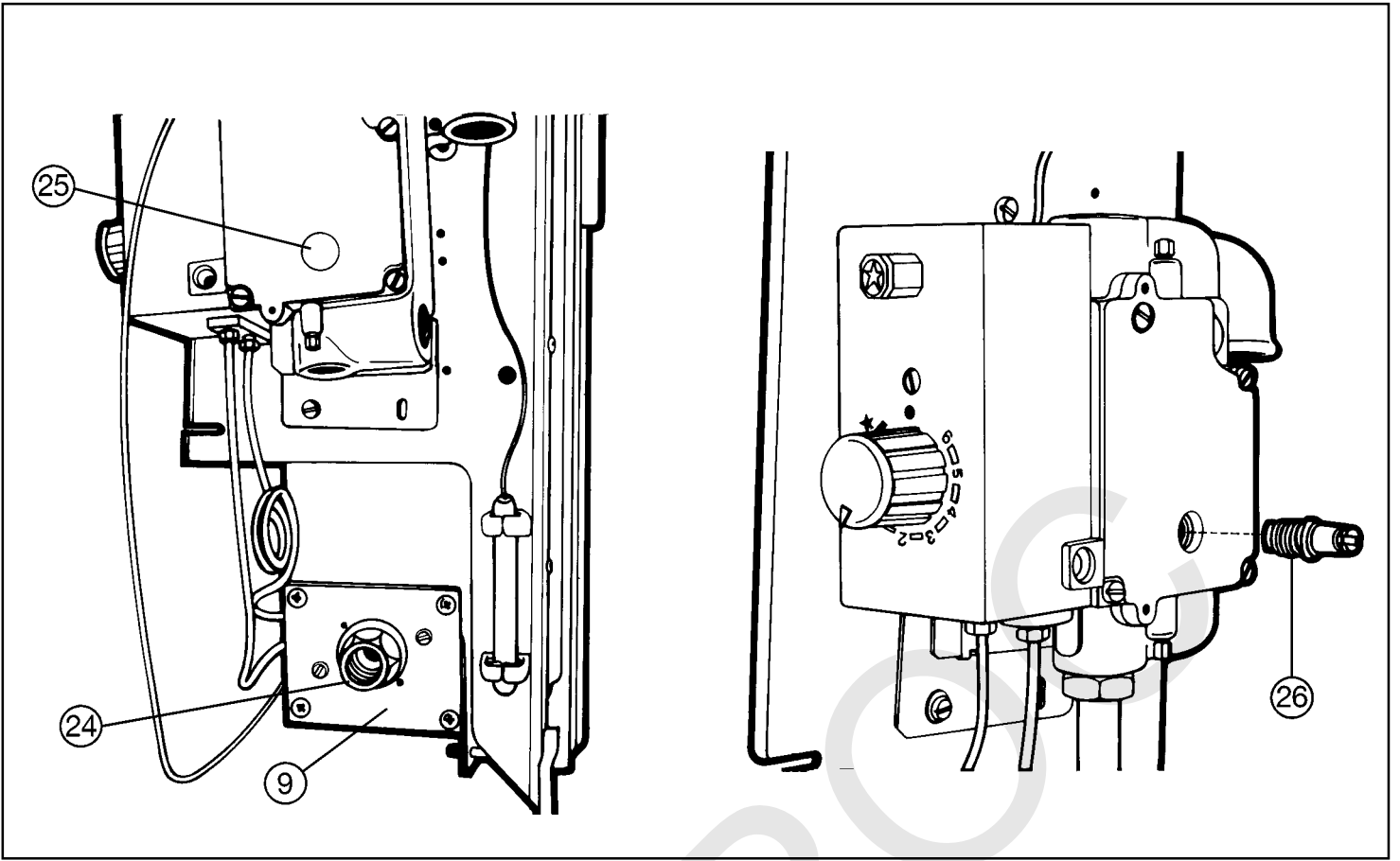
Convector mural a gás

Instruções de Funcionamento
Limpieza e Manutenção
para o **UTENTE**









The NC-3000 wall-mounted gas convector you have chosen is a product of unbeatable quality that will provide you with warmth and comfort during the winter.

In this information we offer you the main features of the convector as well as the operations that are necessary for its correct performance and proper maintenance.

We are at your disposal to help solve any problem that may arise.

Main features

Heat output : 2,600 kcal/h (3.02kW)

	Gas input rate, m ³ /h*
Natural gas	0,39

* At 15°C and 1013 m bar

Operation

Ignition

- Open the stop cock installed in the gas line before the convector.
- Open the two doors in the casing to gain access to the gas valve (1) and the inspection window (2).
- Turn the temperature selector knob (3) until the arrow points to the H position and press it in fully for about 15 or 20 seconds.
- Actuate the press-button (4) of the piezoelectric ignition until the pilot flame appears. (Check it through the inspection window).
- Keep pressing the knob (3) for about 10 to 15 seconds, then gradually release it*.

* After long periods of non-use, the pilot flame may go out, due to entrained air in the system; in this case the lighting operation should be repeated until the flame stabilises.

- Turn the knob (3) until the arrow points to number 3 on the dial graduated from 1 to 6. The main burner should light up. (Check it through the inspection window).**

** Sometimes the main burner does not light up even when the arrow on the knob points to number 6 (maximum output). This can be due to too high an indoor temperature.

- Close the casing door situated in front of the inspection window.
- Point the arrow on the knob (3) to the number that gives a comfortable temperature. To increase the temperature turn the knob anti-clockwise, and clockwise to reduce it.

Shut-down

- Turn the knob (3) until the arrow points to the shutting down position and press fully.
When a short shut-down period is anticipated, the arrow can be left pointing to the H position and later to the appropriate number on the dial.
- Close the casing door situated in front of the gas valve.

Important:

The convector cannot be re-lighted immediately after shutting down. To do it, you must wait about two or three minutes.

Cleaning

General cleaning should be done by specialised personnel whenever necessary, but at least once a year. In this section we point out the most usual operations.

- Regularly remove dust from the outside surface of the casing.
- Whenever necessary, but at least once a year, remove dirt deposited on the outside of the combustion chamber. To do this, proceed as follows:
 - Place the metal pieces of the lower rear part of the casing in a vertical position.
 - Lift the casing -resting on the convector- about 3cm and withdraw it.
 - Clean the combustion chamber and the glass of the inspection window.

Cleaning the main burner

- Close the stop cock installed in the gas line before the convector.
- Remove the casing that covers the convector.
- Unscrew the coupling nuts (5) and (6) and remove the burner gas supply line (7) from the unit.
- Undo the four screws (8) that fasten the plate (9) to the combustion chamber.
- Remove the main burner (10), jointly with the plate (9), from the combustion chamber.
- Move back the two ceramic rods (11) resting on the brackets (12).
- Clean the burner with a wire brush.
- Carry out the operations in reverse order.
- Check the gas-tightness of the gas circuit and air-grille system.

- Refit the casing. The rear part of the upper edge of the side protection (13) should be immobilized on the corresponding piece under the top casing panel.
- Position the metal pieces of the lower rear part of the side casing panels horizontally to prevent the casing from tilting forward.

Maintenance

Some minimum periodical tasks are indispensable (whenever it is necessary, but at least before each heating period) to preserve the quality of the convector and keep it in good working order. These tasks require the intervention of qualified personnel and so should be entrusted to your Installer.

Gas valve

- Close the gas stop cock, unscrew the different coupling nuts and disconnect the gas supply lines to the convector, to the main burner (7), to the pilot flame (15) and the capillary tube (16) of the thermocouple (16) from the gas valve (14).
- Disconnect the spark plug cable (17) from the valve and remove the thermostat bulb (18) from its holders.
- Remove the screws that fix the valve to the convector.
- Detach the side covers of the valve by removing the four fixing screws from each.
- Change the gas filter and lubricate the moving parts with KRAFFT MOLICOTE grease.
- Carry out the operations in reverse order.
- Remove the cover (19) by undoing the central screw (20).
- Remove the upper cover (21) of the valve by undoing the three fixing screws (22).
- Change the main gas filter.
- Carry out the operations in reverse order.

Changing the main nozzle

- Unscrew the coupling nuts (5 and 6) and remove the burner gas supply pipe (7) from the convector.
- Remove the union screws and detach the positioning plate (23) from the burner holder plate (9).
- Remove the hex nut (24) from its housing.
- Unscrew the main nozzle from the head of the nut (24) and replace it with an appropriate one.
- Carry out the operations in reverse order.

Changing the low-delivery nozzle

- Remove the plastic cap (25) from the gas valve.
- Unscrew the low-delivery nozzle head (26) and remove it from its housing.
- Replace the nozzle with an appropriate one, refit it and replace the plastic cap (25).

Changing the pilot nozzle

- Undo the fixing screws (27) that hold the supporting plate (28) for the pilot assembly, thermocouple and spark-plug to the combustion chamber.
- Unscrew the coupling nut (29) from the gas supply pipe (15) to the pilot.
- Remove the pilot nozzle (30) from its housing.
- Replace the pilot nozzle with an appropriate one.
- Carry out the operations in reverse order.

CE Marking

The products listed in this document comply with the European Directive 90/396/EEC for Gas Appliances. Wall-mounted Convector NC-3000.